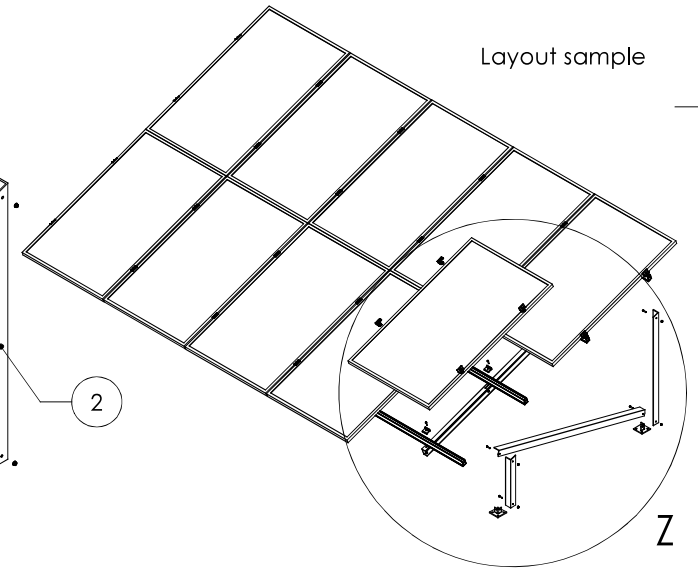
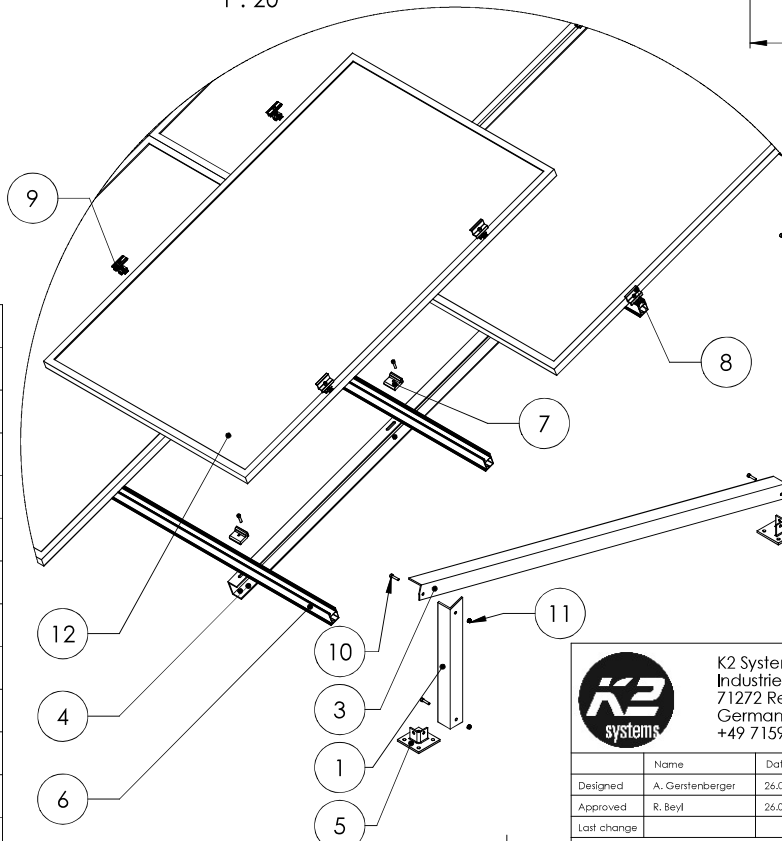



Detail Z  
1 : 20



Layout sample

Pos.No.	Designation
1	N-Rack Brace Front 607 mm / 70x70x6 mm
2	N-Rack Brace End 1344 mm / 70x70x6 mm
3	N-Rack Brace Centre 2133 mm / 60x40x5 mm
4	N-Rack Beam 3000 mm / 80x50x5 mm - U Profil
5	GMS Foot L / GMS Foot S
6	SingleRail 63
7	Climber
8	EndClamp Set
9	MiddleClamp XS Set
10	Socket head bolt serrated - sim. ISO 4762 - M8 x 35
11	Hexagon flange nut serrated - sim. DIN 4161 - M8
12	Module

 <b>K2 Systems GmbH</b> Industriestr. 18 71272 Renningen Germany +49 7159 42059-0				Designation: <b>Data sheet</b> <b>N-Rack 20° strong</b> <b>2x Portrait 1650-1900</b>				
Designed	A. Gerstenberger	Date	26.01.2023	Material:	-	Item no.:	<b>2003425</b>	<b>A3</b>
Approved	R. Beyl	Date	26.01.2023	Surface:	-	Drawing no.:	07-102-00	All dimensions in mm
Last change		Weight:	-	Scale:	1:50			Sheet 1 of 1
This drawing is the sole property of K2 Systems GmbH. It is protected by copyright and may only be copied, reproduced or distributed to a third party with explicit permission!								